

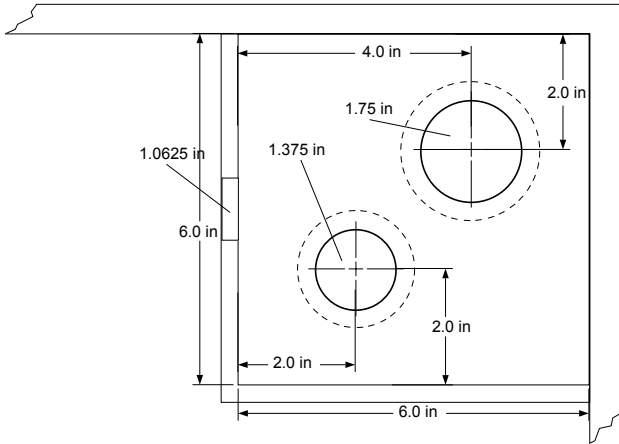


# Overflow Specifications

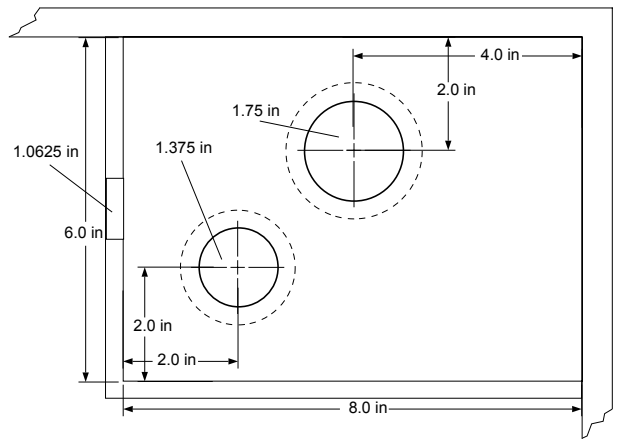
This sheet is to assist with ordering overflow options for our aquariums. This information is also helpful when acquiring custom aquatic furniture from a third party.

All of the provided hole sizes match the bulkheads for our drain and return kits. When ordering overflow(s) with any aquarium please indicate item number, quantity and position within the aquarium (with measurements).

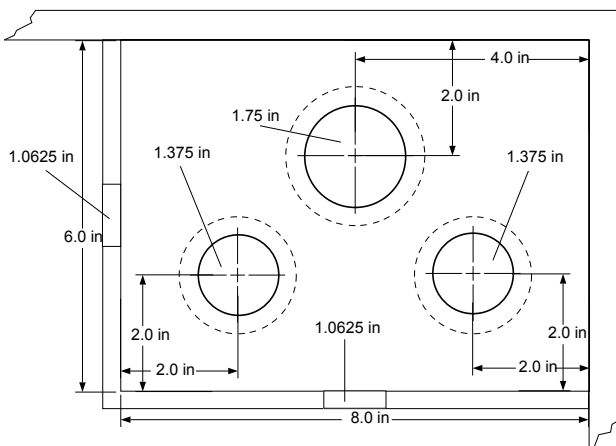
**6" x 6" Corner Overflow**  
One 1" Drain & One 3/4" Return (Item #06601)



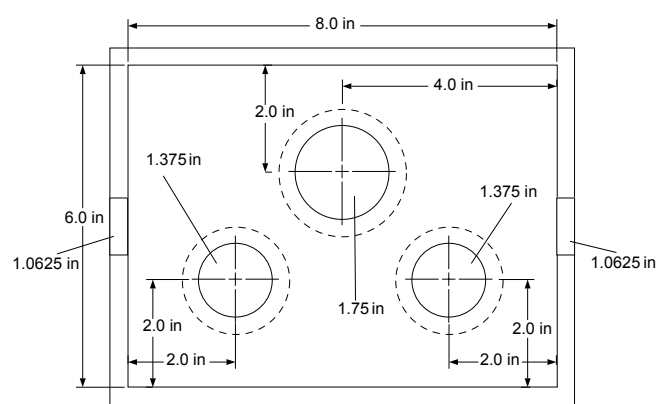
**6" x 8" Corner Overflow**  
One 1" Drain & One 3/4" Return (Item #06801)



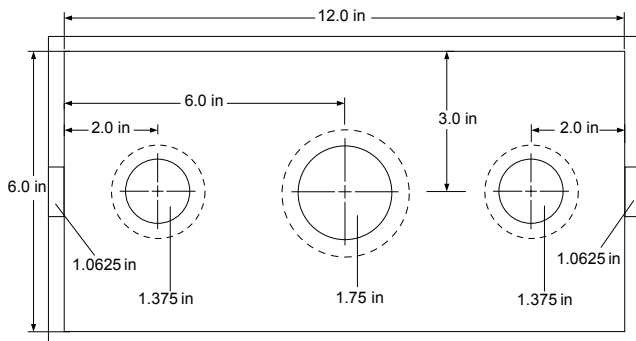
**6" x 8" Corner Overflow**  
One 1" Drain & Two 3/4" Returns (Item #06802)



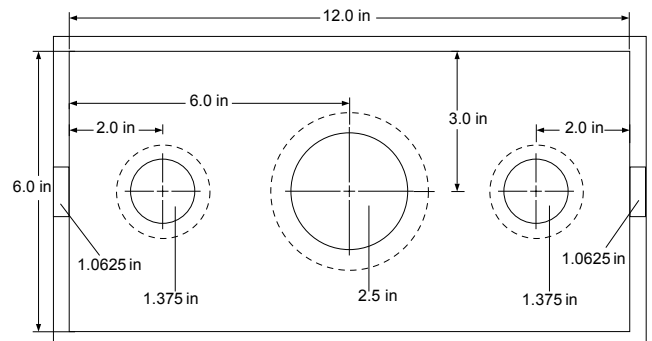
**6" x 8" Column Overflow**  
One 1" Drain & Two 3/4" Returns (Item #06803)



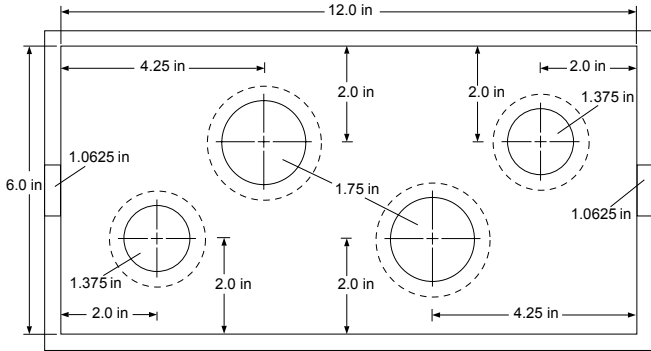
**6" x 12" Column Overflow**  
One 1" Drain & Two 3/4" Returns (Item #61201)



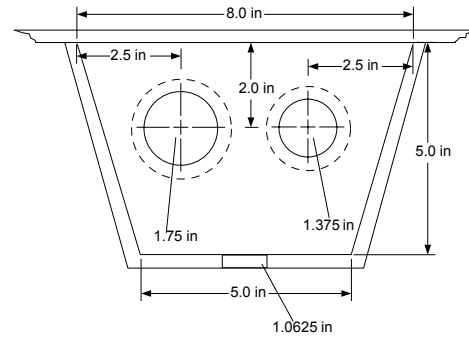
**6" x 12" Column Overflow**  
One 1 1/2" Drain & Two 3/4" Returns (Item #61202)



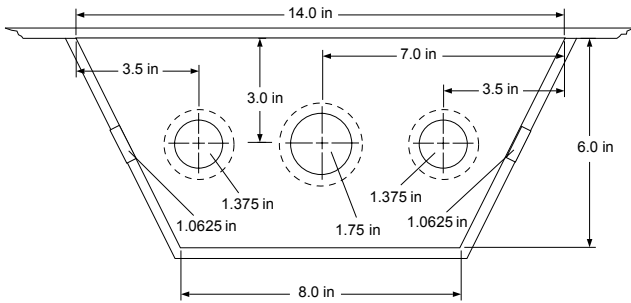
**6" x 12" Column Overflow**  
**Two 1" Drains & Two 3/4" Returns (Item #61203)**



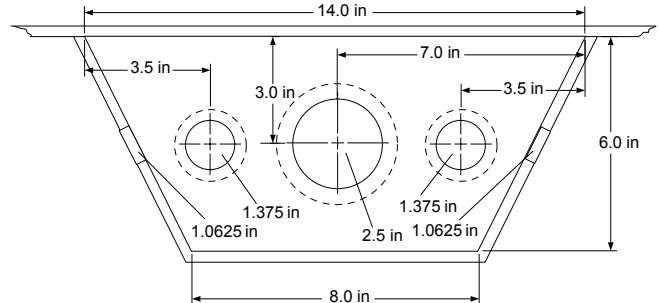
**5" x 5" Trapezoid Overflow**  
**One 1" Drain & One 3/4" Return (Item #05501)**



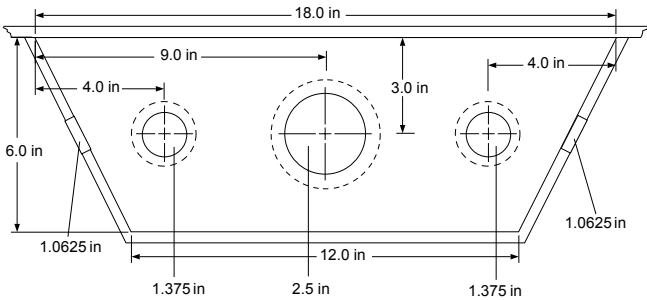
**6" x 8" Trapezoid Overflow**  
**One 1" Drain & Two 3/4" Returns (Item #06805)**



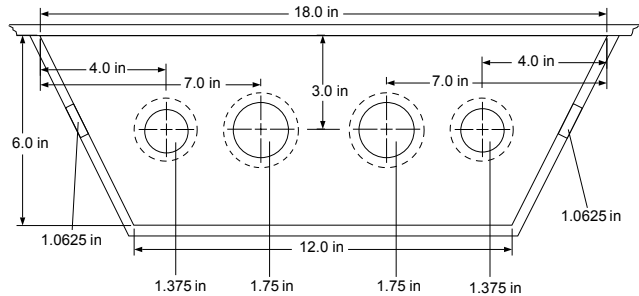
**6" x 8" Trapezoid Overflow**  
**One 1 1/2" Drain & Two 3/4" Return (Item #06804)**



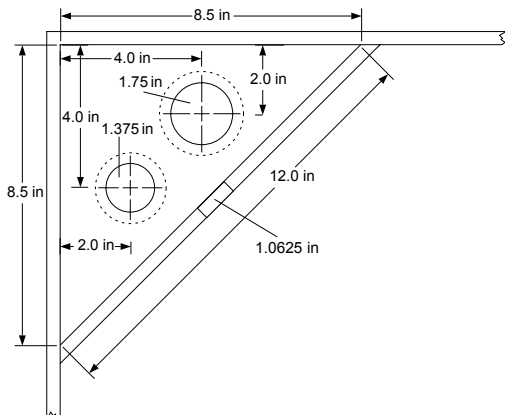
**6" x 12" Trapezoid Overflow**  
**One 1 1/2" Drain & Two 3/4" Returns (Item #61204)**



**6" x 12" Trapezoid Overflow**  
**Two 1" Drains & Two 3/4" Returns (Item #61205)**



**12" Triangular Overflow**  
**One 1" Drain & One 3/4" Return (Item #01201)**



**Overflow Detail**

